

Date: 24/05/20	
Theme:	Church building
Preparation:	<p>Read the lesson plan below. Watch the church tour video. Ken’s commentary gives some background but more suited to adults than children. However, you may find it interesting and useful background. http://www.allsaintsboynehill.org.uk/welcome-about-all-saints/3d-virtual-tour-all-saints-church/</p> <p>For the activity, you’ll need a cardboard box (or other box); lego, paper, dolls house table or other things to make church furniture with; cello tape / glue; colouring pens; scissors.</p> <p>Print the pages at the end of this lessons on things found in a church and one or both of the stained glass windows.</p>
Opening prayer:	<p>Lord, please help us to listen and learn so we know more about your church and can grow in faith. Amen</p>
Introduction	<p>At the moment, we can’t go to church. That’s a shame because we can’t meet with people and have a church service or go to Young Saints.</p> <p>A church is a building where people come together to worship God. Our church is called All Saints and it’s a lovely building – but how much do you know about it?</p>
Story:	<p>Today, we’re going to look at important things that are in the church and how it is laid out. Let’s see what some of these are. <i>Show the pages of what’s in a church that you’ve printed out from below and describe them.</i></p> <p>Font – a large stone bowl containing holy water used for baptism Pulpit – where the priest delivers sermons Altar – table where the bread and wine are blessed during the Eucharist Cross – a reminder of the cross that Jesus died on Lectern – a stand where the Bible is read from. It usually has an eagle on it. Stained glass window – often showing stories and people from the Bible Nave – the main part of the church where people (the congregation) sit Pew – benches which people sit on Aisle – walkway between the pews</p> <p>Show the tour and ‘walk’ through the church, looking at the font, alter etc. You can point out the pews and aisles and other areas not featured.</p> <p>See if the child(ren) can spot the items on the sheet and tick them off.</p>
Activity:	<p>Make a model of a church. (This is based on a cardboard box. You can adapt it if using another type of box)</p>

	<ol style="list-style-type: none">1. The box is your church building.2. Make different parts of the church to fit in it e.g. pulpit from the cardboard flaps, lectern from lego , pews from lego or by folding paper. Or cut out the pictures below.3. Colour the window4. Cut out a doorway5. Stick in the things you've made. <p>Ask the children to imagine everyone arriving at the church. Where will they sit? What will they see? Where will Fr Jeremy give his sermon? Where will someone read the lesson? Where will people kneel to receive bread and wine or a blessing? Where will everyone have a drink and biscuit at the end?</p>
	<p><i>When we can go back to church, you may want to walk round with your child(ren) and see what you can spot for real.</i></p>
Closing prayer:	<p>Lord, Thank you for helping us to understand more about our church building. Although we can't go into it at the moment, help us to still learn about you and your son, Jesus, and to continue to pray in these strange times. Amen</p>

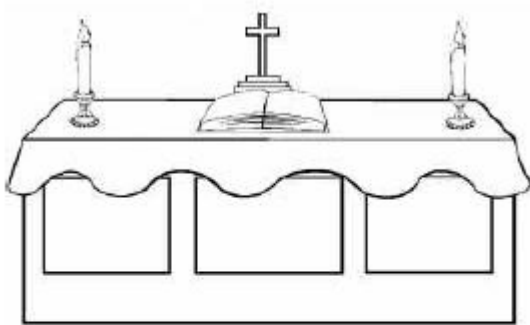
Things you can find in a church



font



pulpit



altar



cross

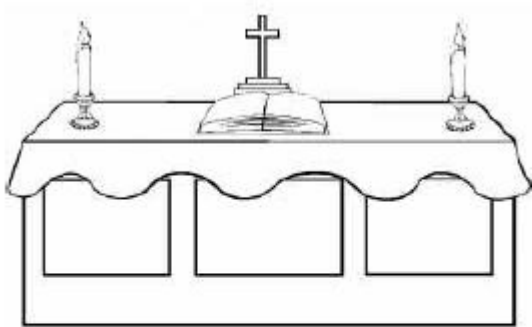
Things you can find in a church



font



pulpit



altar



cross



lectern



stained glass
window



